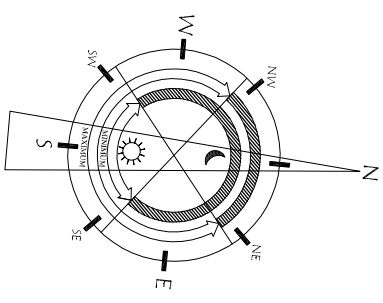




GROUND FLOOR LAYOUT - 43 No. Bedrooms
 scale 1:250



Floor Areas:

Ground Floor Area = 2400.37 sq.m.
 First Floor Area = 2221.88 sq.m.
 Second Floor Area = 964.52 sq.m.
 Total Area = 5586.77 sq.m.

Public Space Areas:

Dining/Sitting = 190.50 sq.m.
 Day Room = 34.51 sq.m.
 Day Room = 33.25 sq.m.
 Total (2nd floor) = 258.26 sq.m.