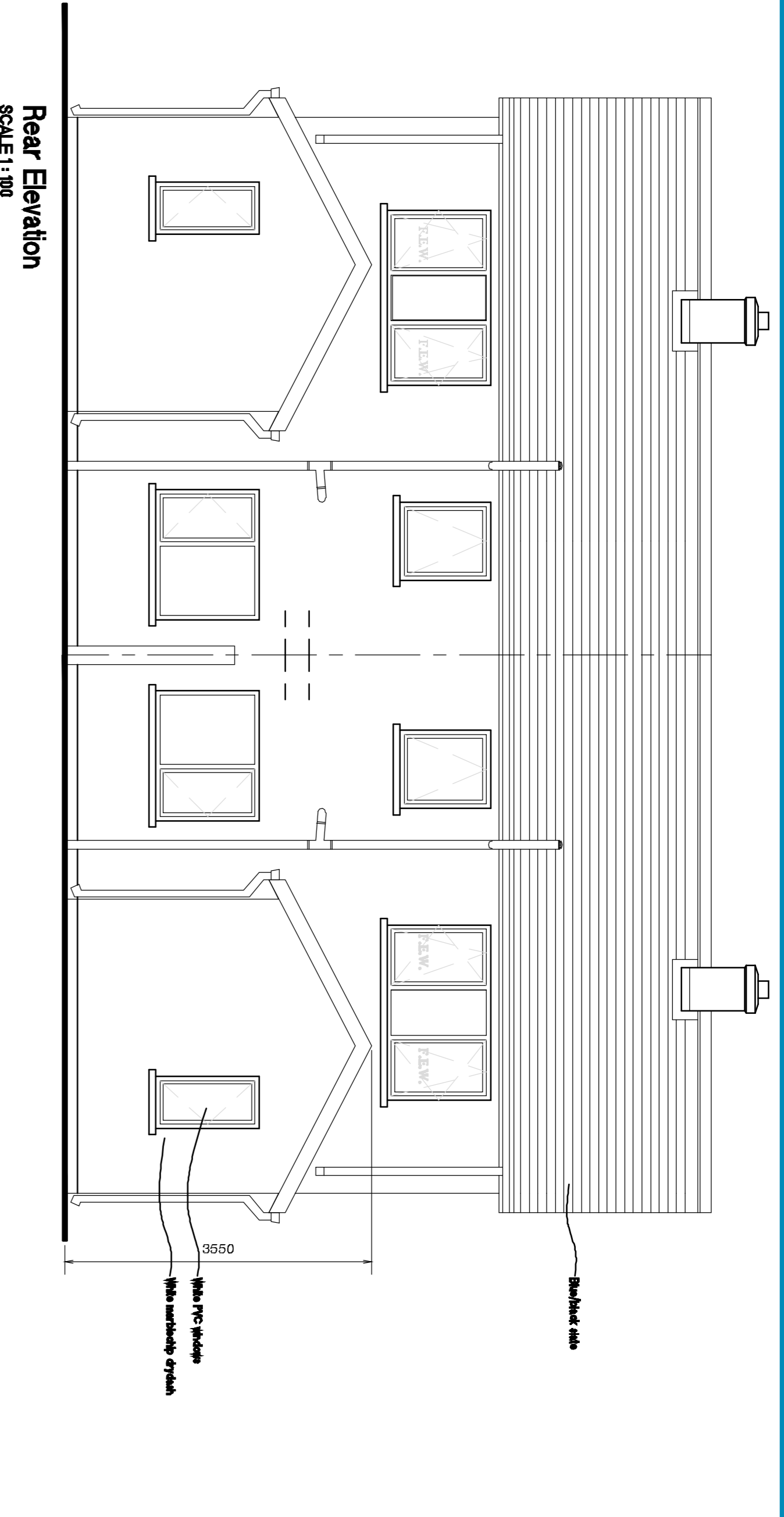
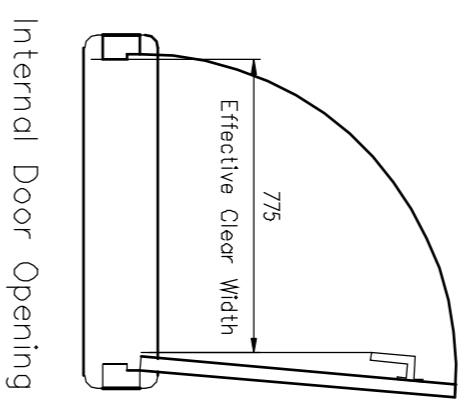
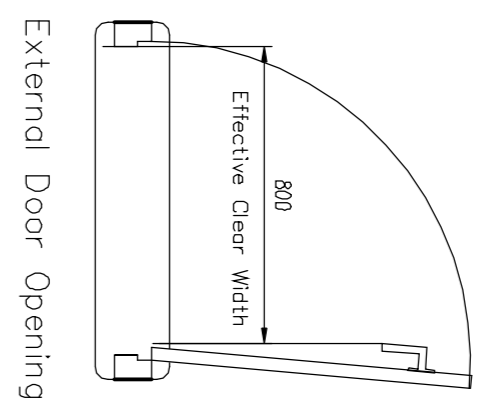
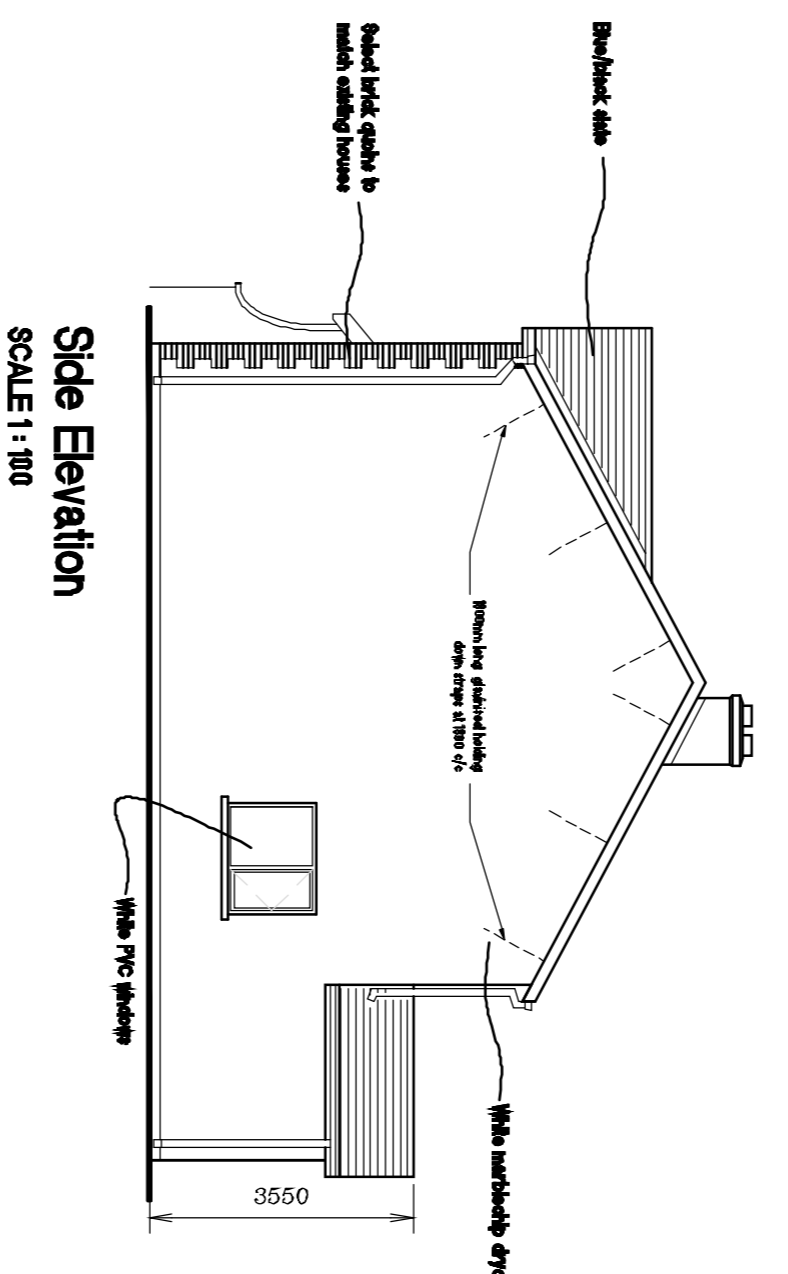


Front Elevation
SCALE 1:50

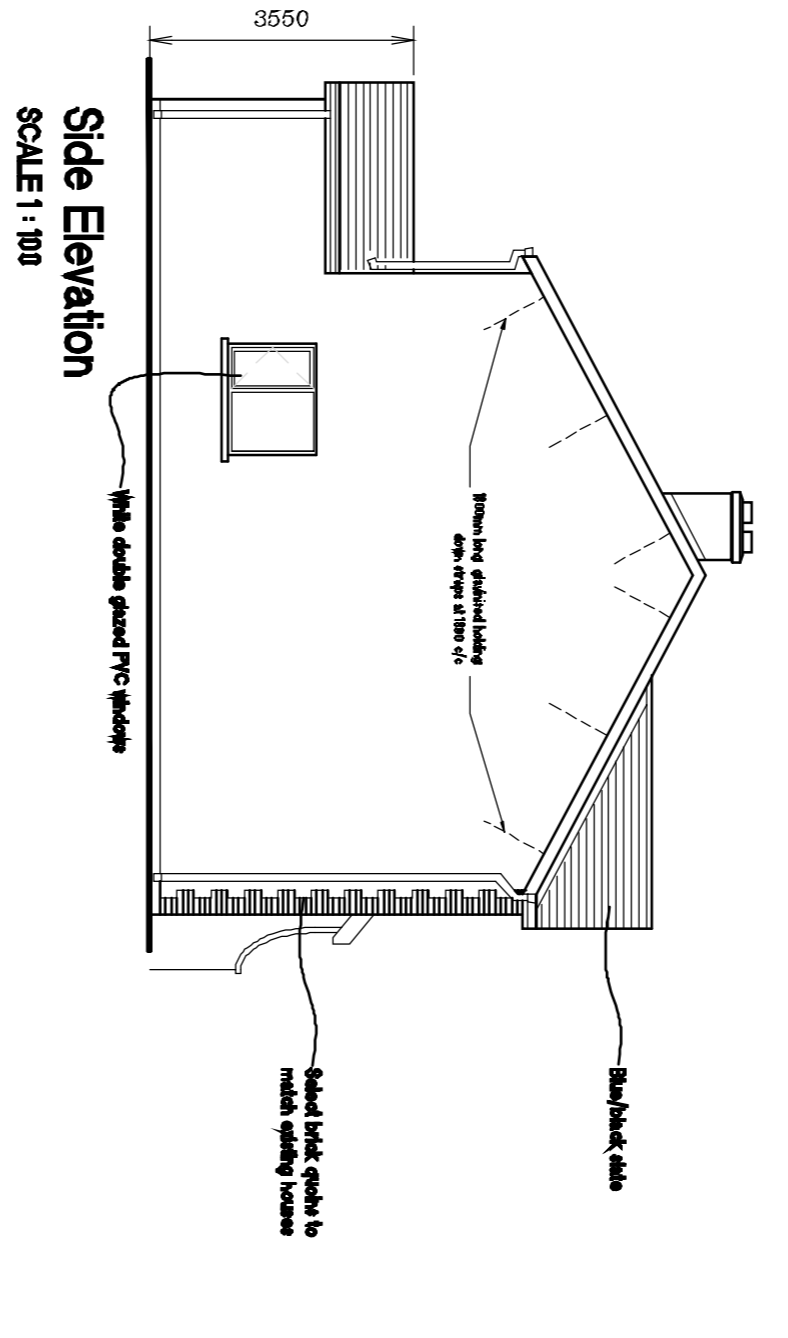
Doors noted by detail



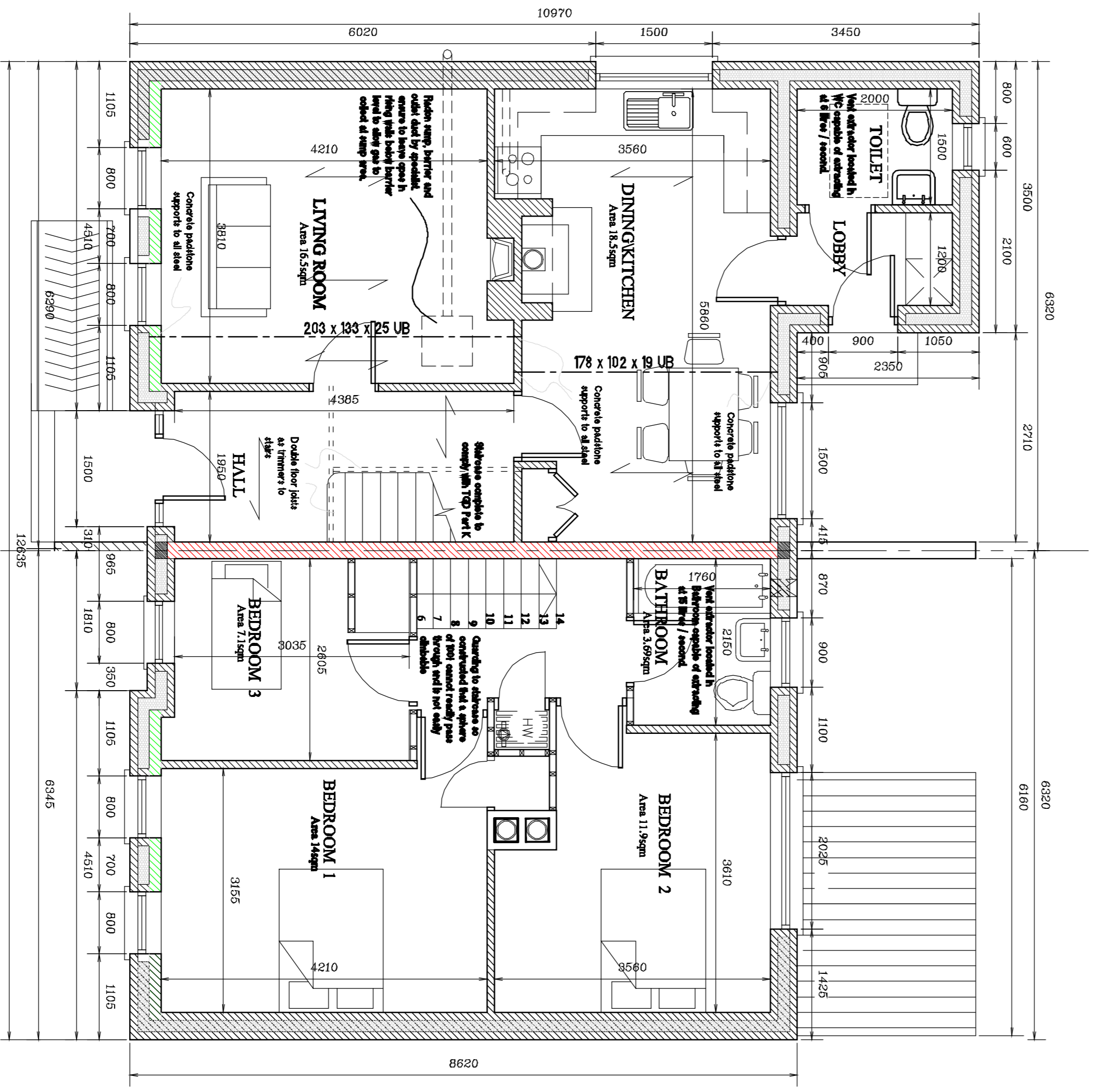
Rear Elevation
SCALE 1:100



Side Elevation
SCALE 1:100



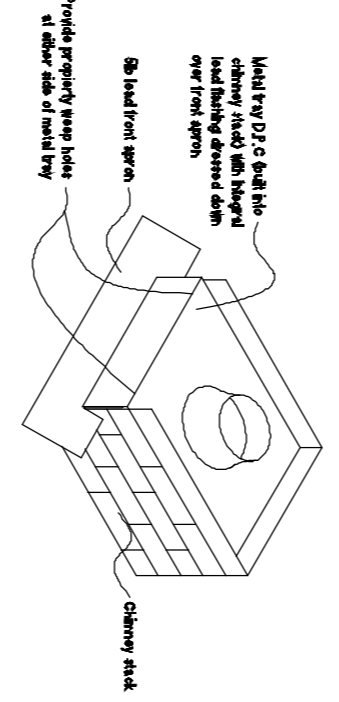
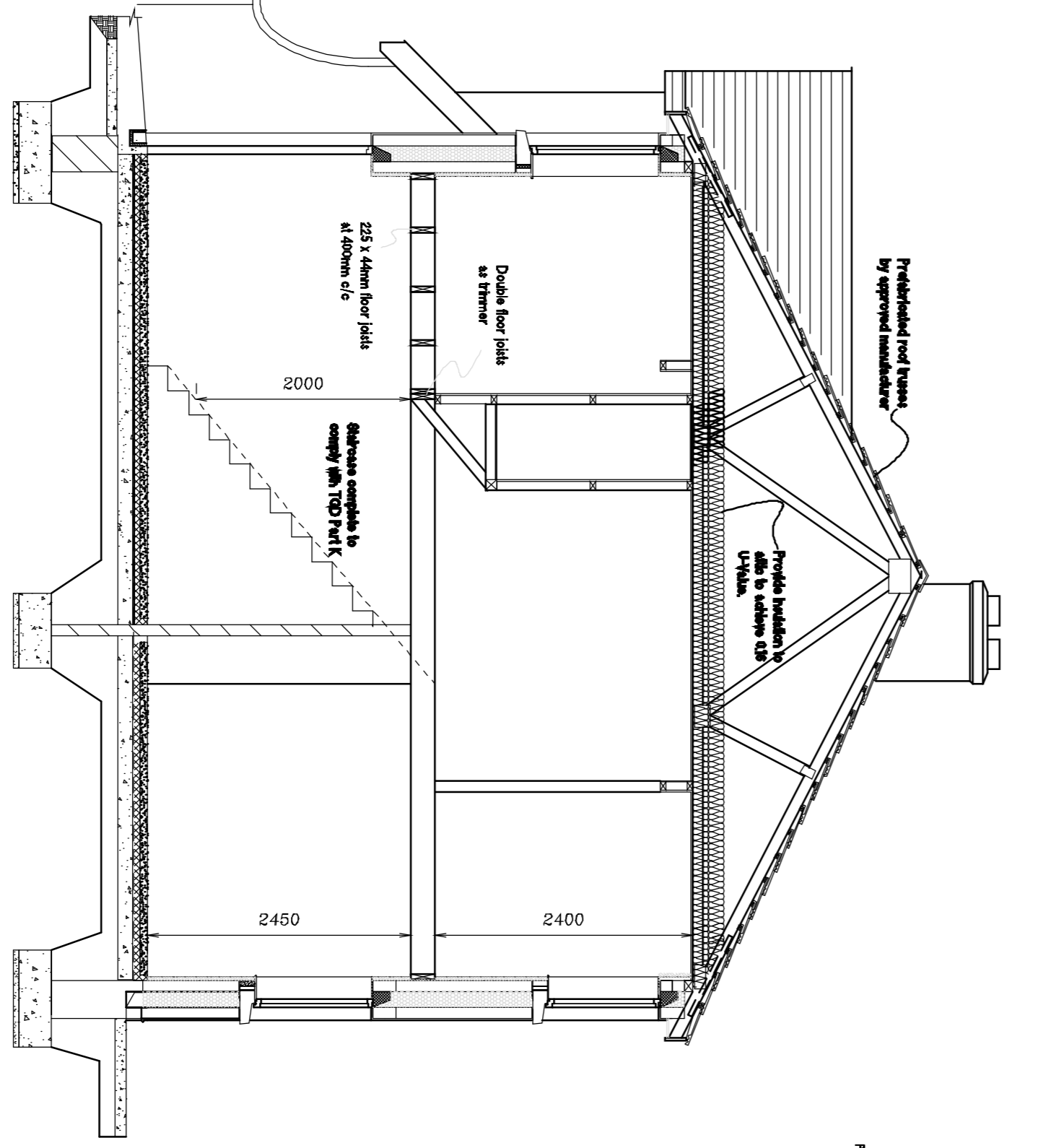
Side Elevation
SCALE 1:100



Ground Floor Plan
SCALE 1:50

- 100mm Blockwork-
- 150mm Blockwork-
- 215mm Blockwork-

Section AA
SCALE 1:50



PROJECT TITLE

Proposed Housing Development

DRAWING TITLE	Construction Drawings
CLIENT/ARCHITECT	Mr. Michael McCahey
LOCATION	Alderwood, Carrickmacross
DRAWN BY	MB
CHECKED BY	DATE 29/09/14
DRAWING NUMBER	SCALE As shown
	REVISION

