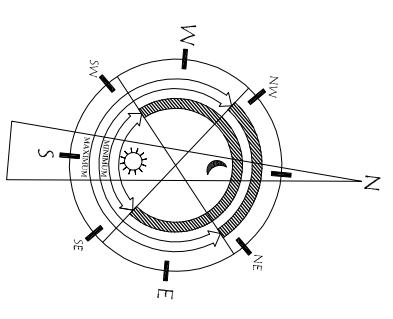
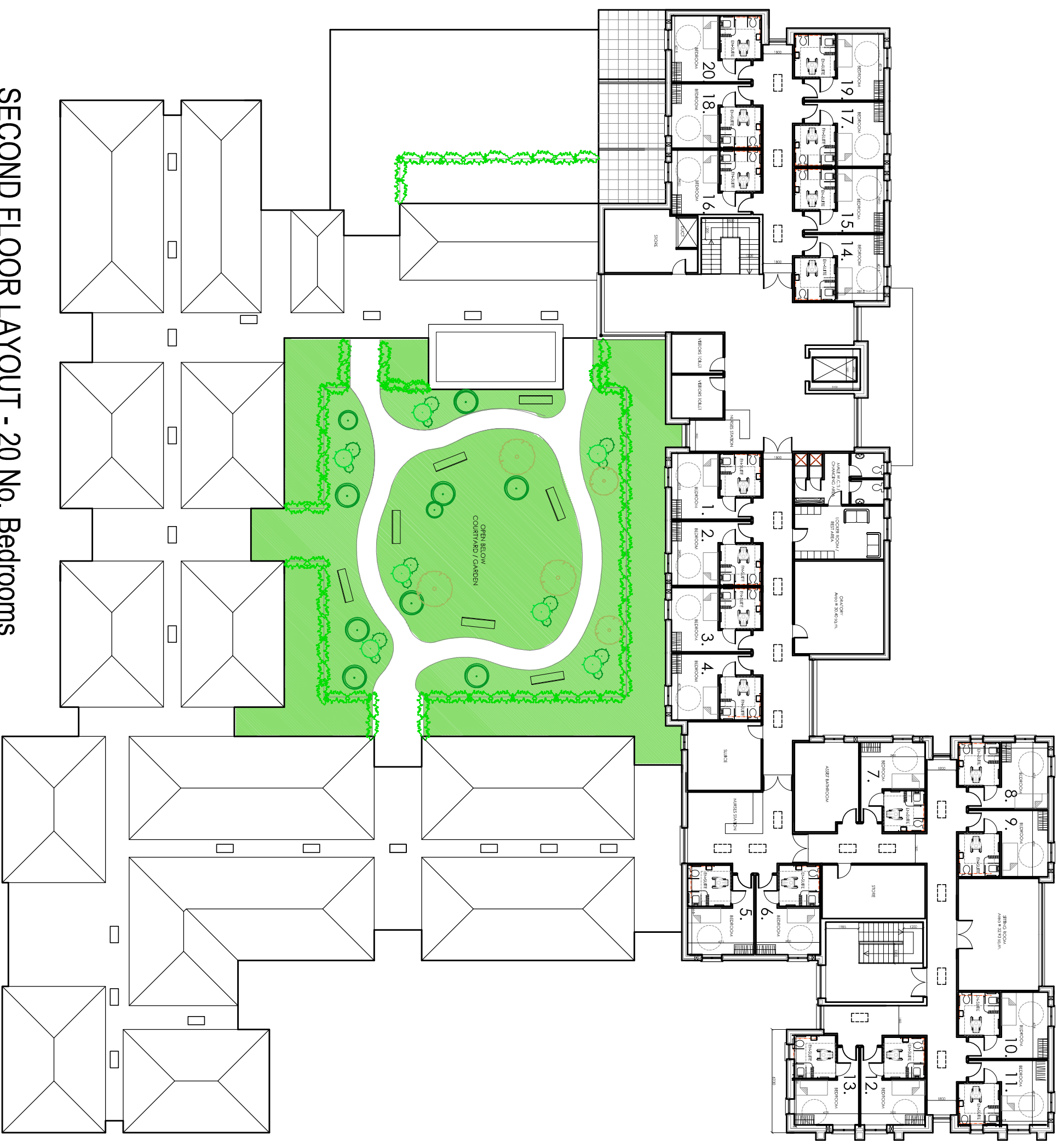


SECOND FLOOR LAYOUT - 20 No. Bedrooms

Scale 1:250



Floor Areas:

- Ground Floor Area = 2400.37 sq.m.
- First Floor Area = 2221.88 sq.m.
- Second Floor Area = 964.52 sq.m.
- Total Area = 5586.77 sq.m.

Public Space Areas:

- Oratory = 30.40 sq.m.
- Sitting Room = 32.93 sq.m.
- Total (2nd floor) = 63.33 sq.m.



WILLIAM HOGAN ARCHITECT

William Hogan Dip. Arch., B.Sc Arch., F.R.I.A.I.

87 CANTONMENT HILL,
CANTONMENT STREET,
WATERLOO

tel: 061 553533
061 553532
061 553532



SCALE: 1:250

DATE: JULY 2017